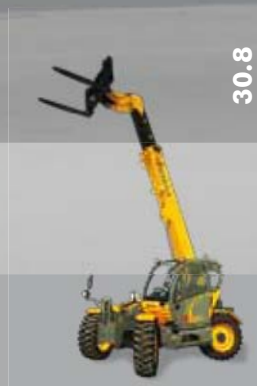


Agri Power



30.7



30.8



30.9

PERFORMANCE

	30.7	30.8	30.9
Maximum capacity (kg)	3.000	3.000	3.000
Maximum lifting height (m)	7,30	7,90	8,80
Maximum horizontal outreach (m)	3,85	4,45	5,35
Outreach at maximum height (m)	0,00	0,30	0,50
Fork swivelling angle	134°	134°	134°
Pull-out force (daN)	5.700	5.700	5.700
Towing force (daN)	7.300	7.300	7.300
Maximum climb angle	40%	40%	40%
Total weight empty (kg)	7.700	8.000	8.300
Max speed (km/h)	30	30	30

(On request 40 Km/h)

BOOM

Times empty (in seconds)

	30.7	30.8	30.9
Lifting	11,8	11,8	11,8
Descent	6,9	6,9	6,9
Extension	6,1	8,1	10,5
Retraction	3,0	4,5	4,6
Forward swivelling	3,9	3,9	3,9
Reverse swivelling	2,4	2,4	2,4

Patented compensation system

ENGINE

	Iveco NEF 74 Kw	Iveco NEF 93 Kw
Model:	Iveco NEF	Iveco NEF
Maximum power kW (hp):	74 (101)	93 (127)
Revolutions per minute (rpm):	2200	2200
Operation:	4 stroke diesel	
Injection:	Direct mechanical	
Number and arrangement of cylinders:	4, vertical in line	
Engine size (cm3):	4485	4485
Specific consumption at 2200 rpm (g/kWh):	230	230
	Aftercooler Turbo compressor	
	Liquid cooling system	

OPTIONALS AND ACCESSORIES

A/C; Webasto Heater; Digital speedometer; Water Heater; Driver's seat with pneumatic suspension; Light on boom head; Quick coupling for accessories; Radio; Anti-theft system; Glass protection.

(For additional customizations, contact the area dealer)

TRANSMISSION

Hydrostatic transmission with variable displacement pump.

Hydrostatic engine with automatic variation.

Electrical - hydraulic inversion.

Inching pedal for controlled advancement.

Servocontrolled 2-speed gearbox.

HYDRAULIC PLANT

Gear pump with capacity at max. speed (lt/1'):	110
Max operational pressure (bar):	230
Distributor control with joystick:	3 in 1

DIFFERENTIAL AXLES

Steering axles: 2, with planetary reduction gears
Steering types: 4 wheels / transversal / 2 wheels
Front axle: rigid (levelling upon request)
Back axle: oscillating
Oil bath service braking on the 4 wheels with double hydraulic plant and servo brake
Negative action parking brake

DEVICES AS PER STANDARD

Anti-tipping device with pejorative movement block.

Hydraulic socket for any accessories on the boom head.

Soundproof closed cab, ROPS-FOPS approved, with heater.

Self-blocking front axle differential (limited slip 45%).

Electric window winder.

TYPE-APPROVAL

Type-approval as a driving agricultural machine.

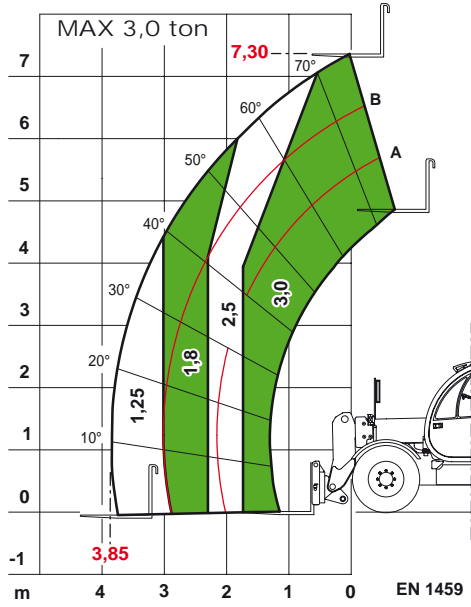
Machine is not suitable for towing trailers on public roads and roads for public use.

REFUELLING (Litres)

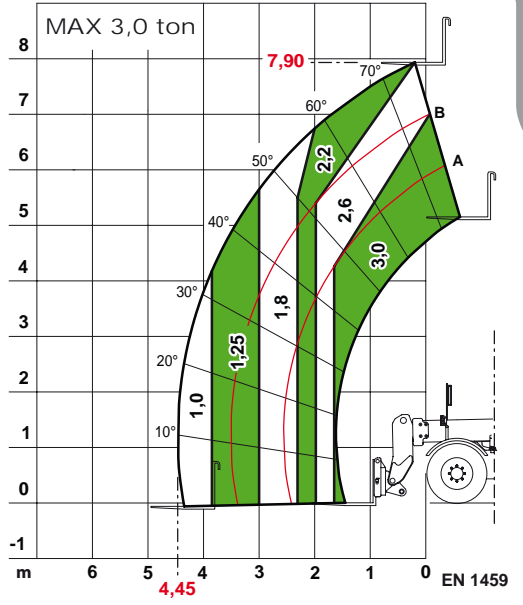
Hydraulic plant (total)	155
Fuel tank	105

TYRES

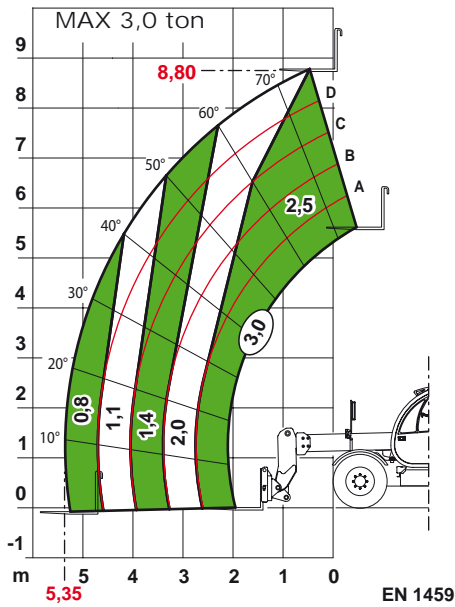
Tyres	405/70x20"
Alternative	405/70x24"



Agri Power 30.7



Agri Power 30.8



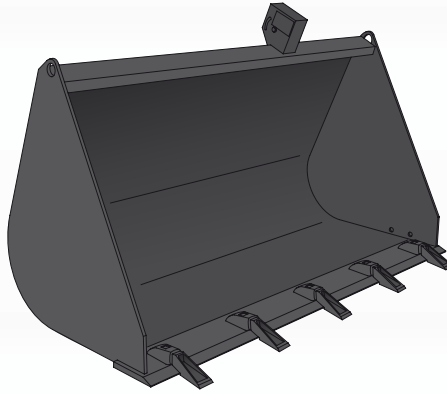
Agri Power 30.9

Accessories and Attachments specific for any need

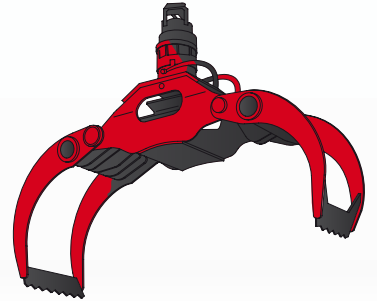
Fork with three jointed prongs



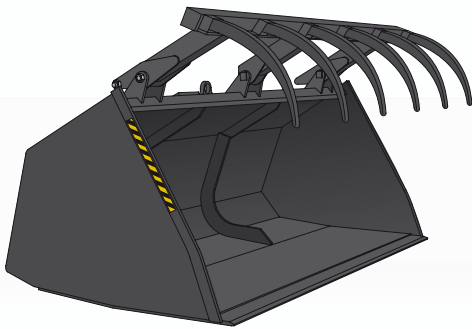
Bucket with teeth



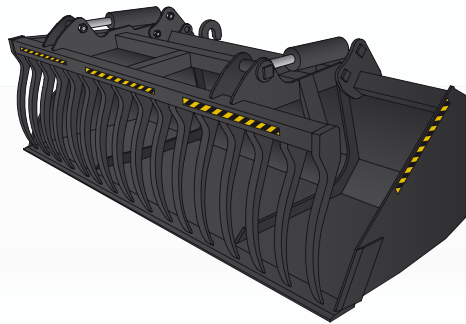
Clamp for logs



Bucket with holder



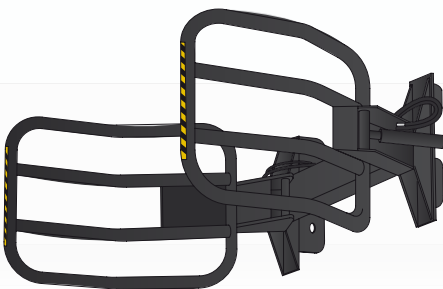
Bucket for silage



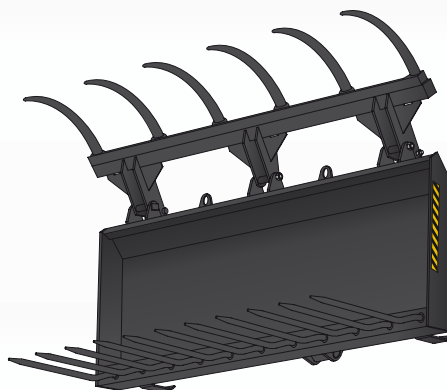
Boom suspension



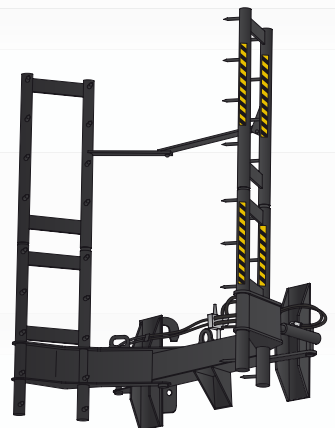
Clamp for big wrapped bales



Multipurpose fork with holder



Clamp for two roll bales



This is only a part of the many accessories and various equipment available for Dieci machines.
For information about the entire range of accessories **CONTACT US** using contact information contained on the rear of the document



360° Visibility

From the significantly raised driver's seat, the innovative anti-fall protection system, located inside the cab, allows for a 360° view that is without comparison.

Two independent rear-view mirrors on both sides reduce blind spots to a minimum.



Comfort

A telescopic lift that takes care of everything... You will notice it immediately, equipped with the largest door on the market, accessing the driver's seat will no longer be a problem. The inside of the cab has been entirely designed in order to make work easier for the operator. Thanks to the integration of the armrest in the right instrument panel, it both reduces arm stress and provides greater accessibility to the joystick. The precise distribution of the ventilation grills optimises efficiency of the heating and air conditioning system, providing a perfect distribution of air inside of the cab.



Engine: low consumption, high yield

Designed for intense use, they guarantee a high level of reliability over time.

The new TIER III engines guarantee remarkable elasticity providing maximum power, even at low engine speed and an unparalleled low operational noise level.

This, along with the possibility of equipping the machine with a particle filter, provides for drastic reduction of consumption.



Safety

For us, safety is an absolute priority, it is guaranteed by an electronic system, standard on all models, which makes it possible to always keep the weight on the forks or on equipment under control during work manoeuvres.

The load limiter flexibly and accurately manages both standard equipment and that used for specific applications.



Design

Dieci has always considered design a significant aspect when engineering their own products.

This philosophy is evident when considering the newly designed cab and chassis restyling.

Paying particular attention, Dieci engineers have been able to interpret the request of a comfortable and functional compartment, creating a spacious and ergonomic cab with snappy styling.



Great agility and reduced steering radius

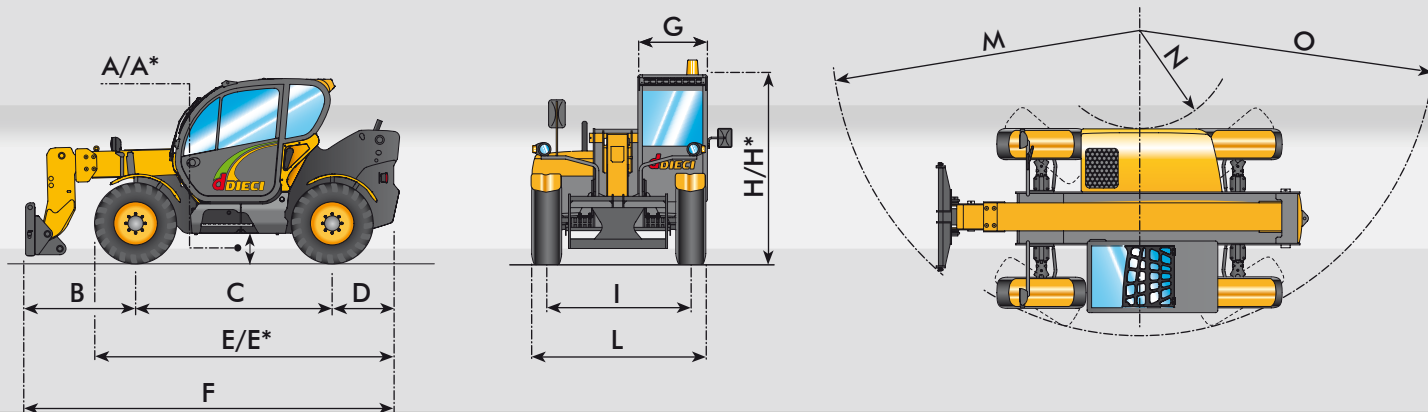
One of the characteristics that distinguish Dieci telescopic devices the most is workability. The extremely reduced steering radius combined with high capacity axles make the machine both agile and powerful. The four drive wheels and the possibility of steering the wheels in three different modes, make it possible to operate on any type of land. Muddy ground, mountain areas, tight spaces and many other extreme conditions will no longer be an obstacle.

DIMENSIONS

	30.7	30.8	30.9
A/A*	440/480*	440/480*	440/480*
B	1180	1480	1970
C	2600	2600	2600
D	860	860	860
E/E*	4000/4050*	4000/4050*	4000/4050*
F	4640	4940	5430
G	940	940	940
H/H*	2460/2500*	2460/2500*	2460/2500*
I	1910	1910	1910
L	2310	2310	2310
M	3930	4080	4420
N	1260	1260	1260
O	3920	3920	3920

Measurements expressed in millimetres

A* - E* - H* = Measurements referring to optional wheels



A* - E* - H* = Measurements referring to optional wheels



macchine edili ed agricole
d DIECI

Via E. Majorana, 2-4 42027 Montecchio Emilia (RE) ITALY

Tel. +39 0522 869611 Fax +39 0522 869791 (comm. le Estero) Fax +39 0522 869604 (comm.le Italia)

www.dieci.com - E-mail: info@dieci.com