

Mini Agri



25.6

PERFORMANCE

25.6

Maximum capacity (kg)	2.500
Maximum lifting height (m)	5,78
Maximum horizontal outreach (m)	3,25
Outreach at maximum height (m)	0,67
Fork swivelling angle	129°
Pull-out force (daN)	5.700
Towing force (daN)	4.400
Maximum climb angle	40%
Total weight empty (kg)	4.800
Max speed (km/h)	26 *

* = 18" tyres

ENGINE

Yanmar
50.7 Kw

Yanmar
62.5 Kw

Model:	YANMAR	YANMAR
Maximum power kW (hp):	50,7 (69)	62,5 (85)
Revolutions per minute (rpm):	2500	2500
Operation:	4 stroke diesel	
Injection:	Electronic direct	
Number and arrangement of cylinders:	4, vertical in line	
Engine size (cm3):	3319	3319
Specific consumption at 2500 rpm (g/kWh):	248	254

Natural Intake

Turbo compressor

Liquid cooling system

BOOM

25.6

Times: (in seconds)

Lifting	7,8
Descent	4,1
Extension	6,1
Retraction	3,4
Forward swivelling	3,5
Reverse swivelling	2,2

Patented compensation system

DEVICES AS PER STANDARD

Anti-tipping device with pejorative movement block.

Hydraulic socket for any accessories on the boom head.

Soundproof closed cab, ROPS-FOPS approved, with heater.

Self-blocking front axle differential (limited slip 45%).

OPTIONALS AND ACCESSORIES

A/C; Webasto Heater; Digital speedometer; Water Heater; Driver's seat with pneumatic suspension; Light on boom head; Quick coupling for accessories; Radio; Anti-theft system; Glass protection.

(For additional customizations, contact the area dealer)

HYDRAULIC PLANT

Gear pump with capacity at max. speed (lt/1'):	80
Max operational pressure (bar):	230
Distributor control with joystick:	3 in 1

DIFFERENTIAL AXLES

Steering axles: 2, with planetary reduction gears

Steering types: 4 wheels / transversal / 2 wheels

Front axle: rigid

Back axle: oscillating

Oil bath service braking on the front axle

Negative action parking brake.

TRANSMISSION

Hydrostatic transmission with variable displacement pump.

Hydrostatic engine with automatic variation.

Electrical - hydraulic inversion.

Inching pedal for controlled advancement.

TYPE-APPROVAL

Type-approval as a driving agricultural machine.

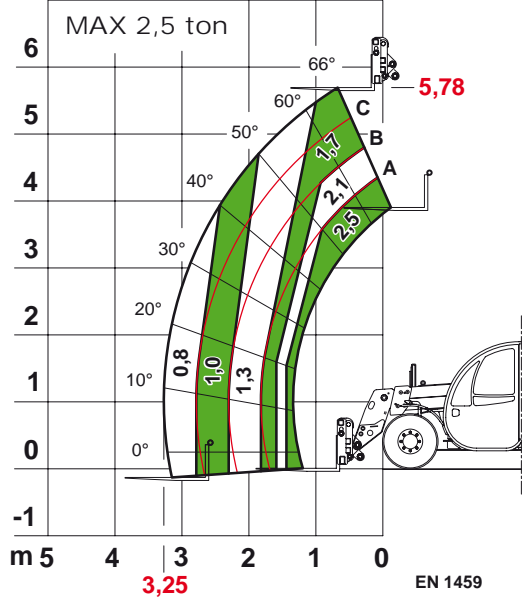
Machine is not suitable for towing trailers on public roads and roads for public use.

REFUELLING (Litres)

Hydraulic plant (total)	70
Fuel tank	80

TYRES

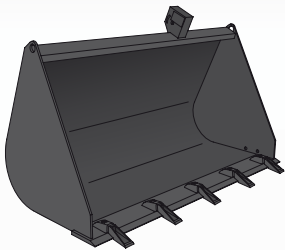
Tyres	12 - 18"
-------	----------



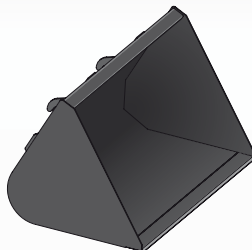
Mini Agri 25.6

Accessories and Attachments specific for any need

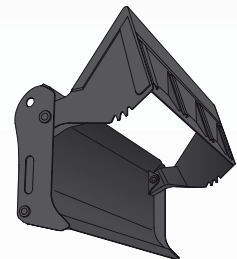
Bucket with teeth



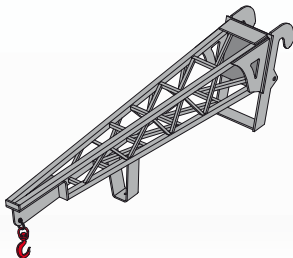
Bucket for light materials



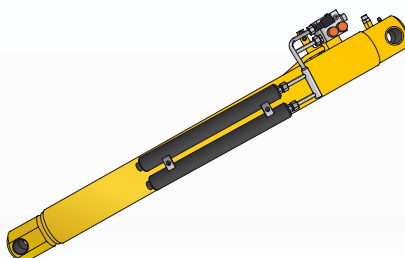
Bucket 4 in 1



Jib crane extension



Boom suspension



Aluminium man basket

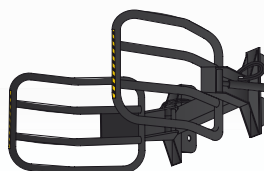


Without the requirement for full tyres or outriggers

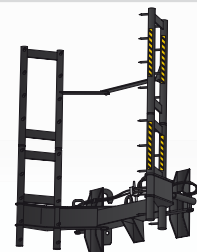
Fork with 2 jointed prongs



Clamp for big wrapped bales



Clamp for two roll bales



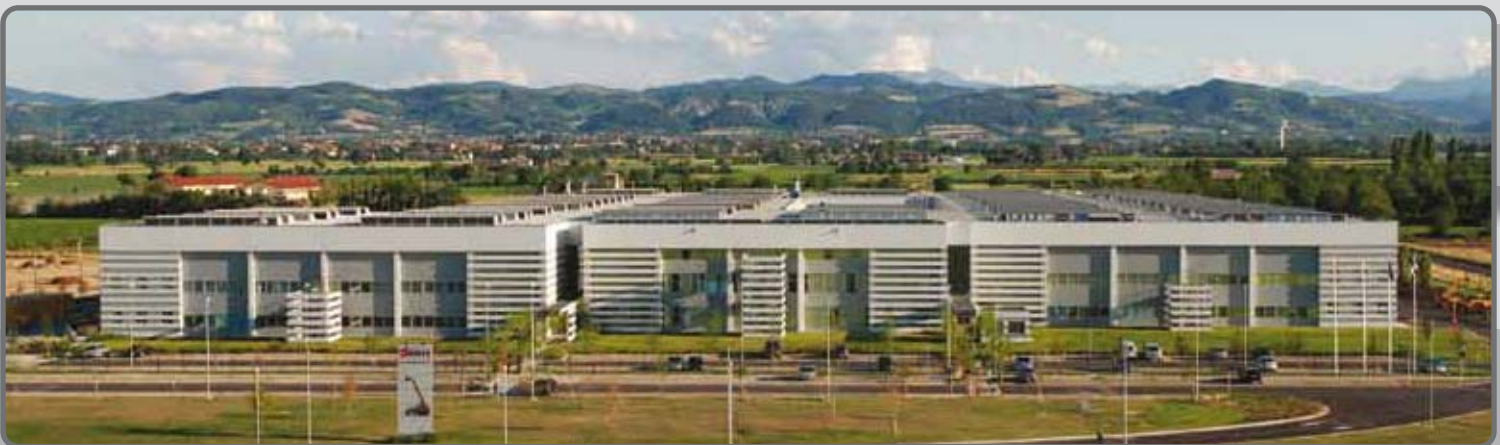
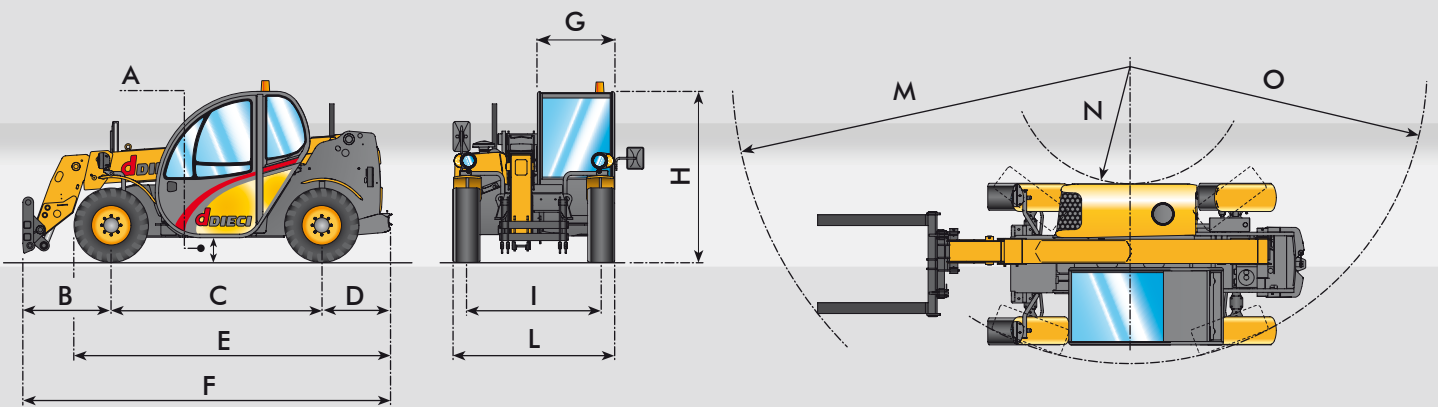
This is only a part of the many accessories and various equipment available for Dieci machines.
For information about the entire range of accessories **CONTACT US** using contact information contained on the rear of the document

DIMENSIONS

25.6

A	310
B	983
C	2350
D	763
E	3580
F	4100
G	860
H	1990
I	1500
L	1800
M	4500
N	1400
O	3400

Measurements expressed in millimetres



d **DIECI**
macchine edili ed agricole

Via E. Majorana, 2-4 42027 Montecchio Emilia (RE) ITALY

Tel. +39 0522 869611 Fax +39 0522 869791 (comm. le Estero) Fax +39 0522 869604 (comm.le Italia)

www.dieci.com - E-mail: info@dieci.com